

Pull handles, plastic with soft grip

Item description/product images



Description

Material:

Main component polypropylene (PP).
Soft components thermoplastic elastomer.
Tapped bushes brass.

Version:

Main component black.
Soft components black, orange, yellow, red, green, blue, grey.
Tapped bushes electro zinc-plated.

Note:

Excellent carrying and gripping comfort thanks to its soft inner surface.

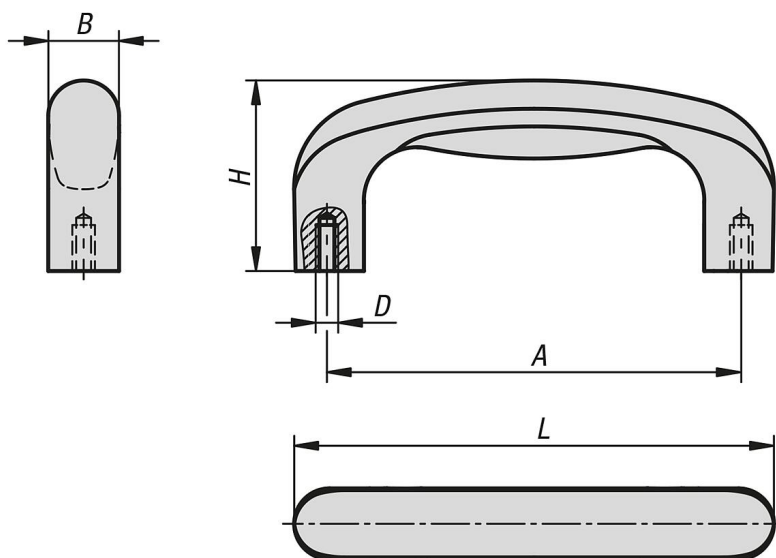
Assembly:

From the rear.

On request:

Main components grey with other colour combinations.

Drawings



Overview of items

Pull handles, plastic with soft grip

Order No.	Component colour	A	B	D	H	L	Load capacity N
K1877.0940411	black	93,7	16,3	M4	48,8	105	500
K1877.09404187	blue	93,7	16,3	M4	48,8	105	500
K1877.09404186	green	93,7	16,3	M4	48,8	105	500
K1877.09404184	red	93,7	16,3	M4	48,8	105	500
K1877.0940412	orange	93,7	16,3	M4	48,8	105	500
K1877.09404116	yellow	93,7	16,3	M4	48,8	105	500
K1877.09404188	grey	93,7	16,3	M4	48,8	105	500

Pull handles, plastic with soft grip

Overview of items

Order No.	Component colour	A	B	D	H	L	Load capacity N
K1877.1170511	black	117	20,6	M5	53,8	134,7	500
K1877.11705187	blue	117	20,6	M5	53,8	134,7	500
K1877.11705186	green	117	20,6	M5	53,8	134,7	500
K1877.11705184	red	117	20,6	M5	53,8	134,7	500
K1877.1170512	orange	117	20,6	M5	53,8	134,7	500
K1877.11705116	yellow	117	20,6	M5	53,8	134,7	500
K1877.11705188	grey	117	20,6	M5	53,8	134,7	500
K1877.1540611	black	148,5	26,7	M6	65	170,3	500
K1877.15406187	blue	148,5	26,7	M6	65	170,3	500
K1877.15406186	green	148,5	26,7	M6	65	170,3	500
K1877.15406184	red	148,5	26,7	M6	65	170,3	500
K1877.1540612	orange	148,5	26,7	M6	65	170,3	500
K1877.15406116	yellow	148,5	26,7	M6	65	170,3	500
K1877.15406188	grey	148,5	26,7	M6	65	170,3	500
K1877.1540811	black	148,5	26,7	M8	65	170,3	500
K1877.15408187	blue	148,5	26,7	M8	65	170,3	500
K1877.15408186	green	148,5	26,7	M8	65	170,3	500
K1877.15408184	red	148,5	26,7	M8	65	170,3	500
K1877.1540812	orange	148,5	26,7	M8	65	170,3	500
K1877.15408116	yellow	148,5	26,7	M8	65	170,3	500
K1877.15408188	grey	148,5	26,7	M8	65	170,3	500