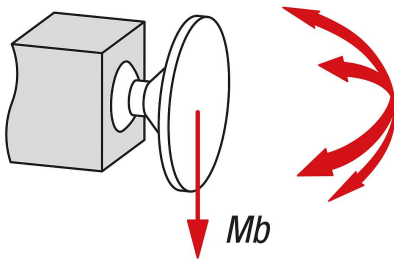
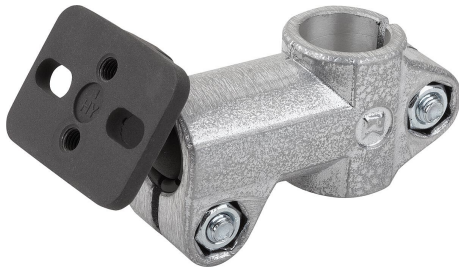
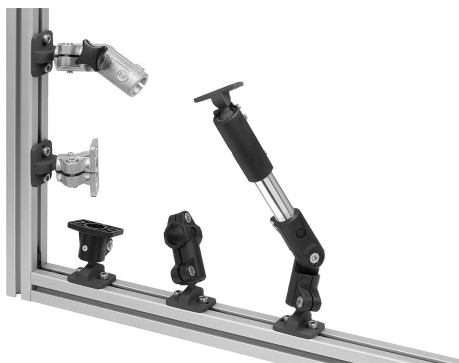


## Tube clamps T-angle, aluminum with ball joint

### Item description/product images



Flexural torque (Nm)



### Description

#### Product description:

Tube clamp T-angles are used for the axis-intersection connection of elements. They can be screwed onto machines or frames.

The tube clamps have a 360° rotatable connection plate on the ball joint.

Components such as sensors, reflectors and other elements can be fastened to these and individually adjusted. Suitable for components that need to be precisely aligned and often readjusted.

The swivel range of the connection plate is 60°.

#### Material:

Cast aluminium.

ISO 4762 screws and DIN 985 nuts, steel.

#### Version:

Vibratory ground.

Screws and nuts electro zinc-plated.

#### Note:

Can be combined with other tube clamps size 18 mm.

A special coating on the surface of the ball joint ensures high-strength clamping.

Max. torque when tightening the locking screw:

M6: 10 Nm.

M8: 25 Nm.

The stated forces and torques are non-binding guidelines that may not be achievable due to diverse application conditions e.g. temperature or surface finish.

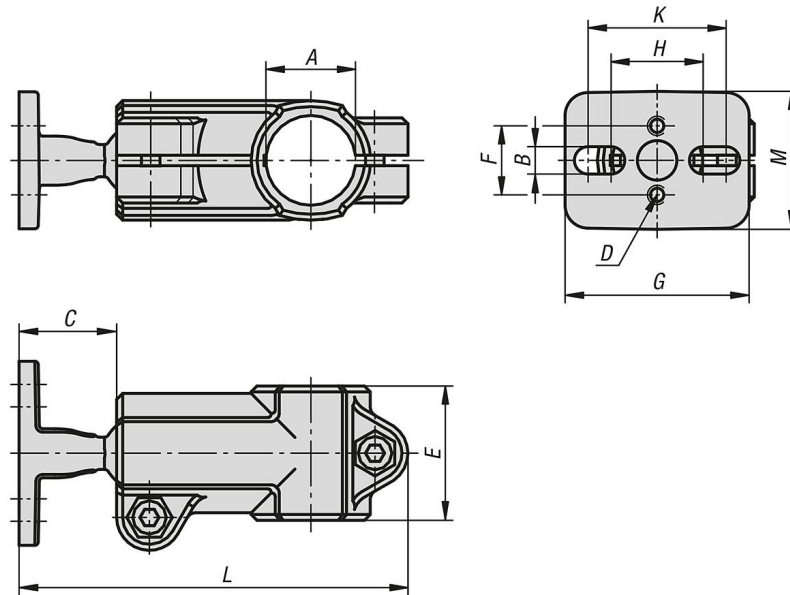
The details constitute neither a guarantee of the quality nor a warranted characteristic of the products.

#### Accessory:

- Round and square tubes K0493

**Tube clamps T-angle, aluminum with ball joint**

**Drawings**



**Overview of items**

**Tube clamps T-angle, aluminium with ball joint**

Order No.	A	B	C	D	E	F	G	H	K	L	M	Mb (Nm)
K0475.5181	18,1	5,5	21	M5X10	32	15	40	20	30	87	30	9