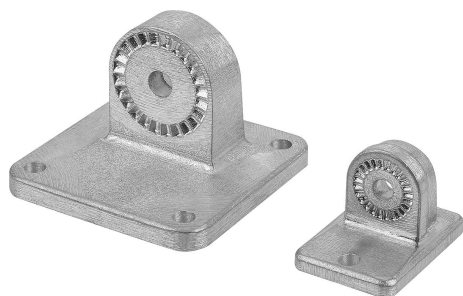


Tube clamps swivel base aluminium, with sunken teeth

Item description/product images



Description

Material:

Cast aluminium.
Nut, steel.

Version:

Vibratory ground.
Nut electro zinc-plated.

Note:

Swivel half clamps with sunken teeth can be combined with swivel half clamps with raised teeth (K0485) to make a complete swivel clamp.

Max. torque when tightening the lockscrew:

M6: 10 Nm.
M8: 25 Nm.
M10: 50 Nm.

On request:

Clamping levers for tightening.

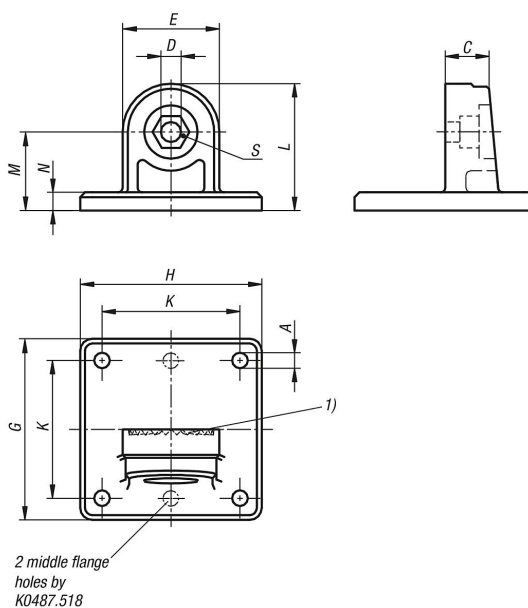
Accessory:

- Hex nut DIN 985
- Hex head bolt DIN 933
- Cap screw DIN 6912

Drawing reference:

1) 15° toothing

Drawings



Overview of items

Tube clamps swivel base aluminium, with sunken teeth

Overview of items

Tube clamps swivel base, aluminium, with sunken teeth

Order No.	A	C	D	E	G	H	K	L	M	N	S
K0487.518	5,3 (2x)	13	7	25	50	35	38	32,5	20	5	M6
K0487.530	6,5 (4x)	16	9	40	75	75	57	52,5	33	7,5	M8
K0487.540	8,5 (4x)	22	11	56	100	100	76	72	44	10	M10