

Tube clamps, swivel half aluminium, with sunken teeth

Item description/product images



Description

Material:

Cast aluminium.
Screws and nuts steel.

Version:

Vibratory ground.
Screws and nuts electro zinc-plated.

Note:

Swivel half clamps with sunken teeth can be combined with swivel half clamps with raised teeth (K0485) to make a complete swivel clamp.

Max. torque when tightening the lockscrew:

M6: 10 Nm.

M8: 25 Nm.

M10: 50 Nm.

On request:

Clamping levers for tightening.

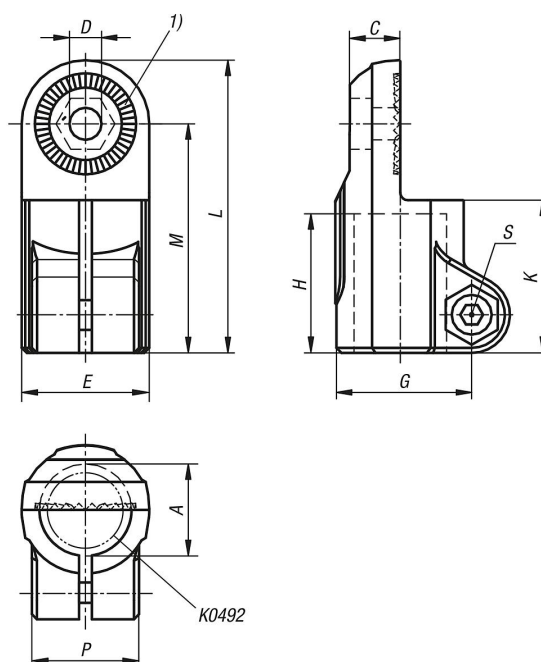
Accessory:

- Hex nut DIN 985
- Hex head bolt DIN 933
- Cap screw DIN 6912

Drawing reference:

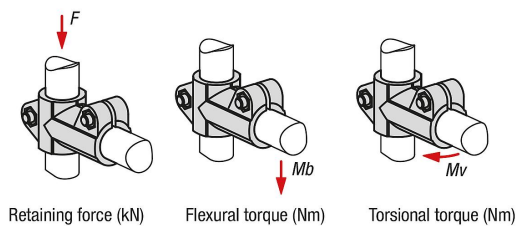
- 1) 15° toothing

Drawings



Tube clamps, swivel half aluminium, with sunken teeth

Drawings



Overview of items

Tube clamps, swivel half, aluminium, with sunken teeth

Order No.	A	C	D	E	G	H	K	L	M	P	S	F kN	Mb (Nm)	Mv (Nm)
K0484.512	12,1	10,5	7,5	26	29,4	25	30	57	44	21	M6	3,6	28	9
K0484.514	14,1	10,5	7,5	26	29,4	25	30	57	44	21	M6	3,6	28	9
K0484.516	16,1	10,5	7,5	26	29,4	25	30	57	44	21	M6	3,6	28	9
K0484.518	18,1	10,5	7,5	26	29,4	25	30	57	44	21	M6	3,6	28	9
K0484.520	20	16	9	40	40	45	50	93	73	33	M8	4,9	91	94
K0484.525	25,1	16	9	40	40	45	50	93	73	33	M8	4,9	91	94
K0484.530	30,1	16	9	40	40	45	50	93	73	33	M8	4,9	91	94
K0484.540	40,2	22	11	56	56	60	68	128	100	48	M10	6	267	181