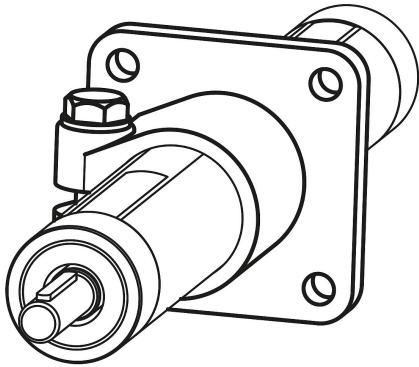
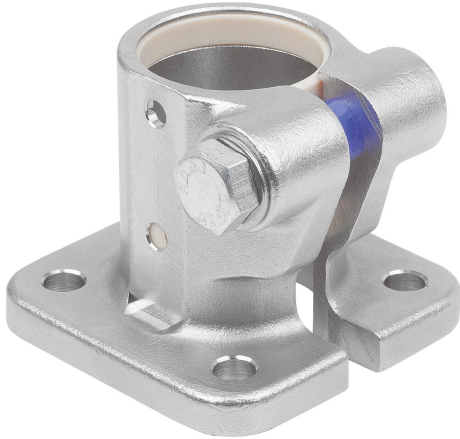


Linear actuator connector clamps, stainless steel base

Item description/product images



Description

Material:

Stainless steel, investment cast 1.4308.

Screws, stainless steel A2.

Version:

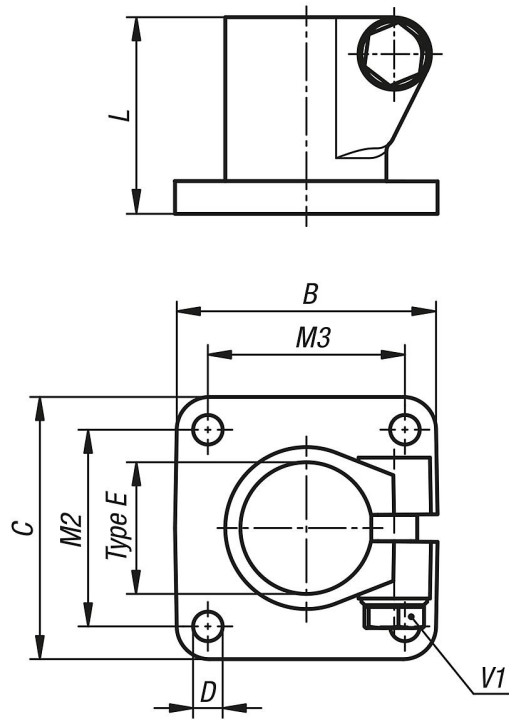
Electropolished.

On request:

Clamping levers for tightening.

Linear actuator connector clamps, stainless steel base

Drawings



Overview of items

Linear actuator connector clamps, stainless steel, base

Order No.	Type E	B	C	D	L	M2	M3	V1
K0499.130	30	60	60	7	50	40	40	M8x30
K0499.140	40	80	80	9	60	60	60	M10x35