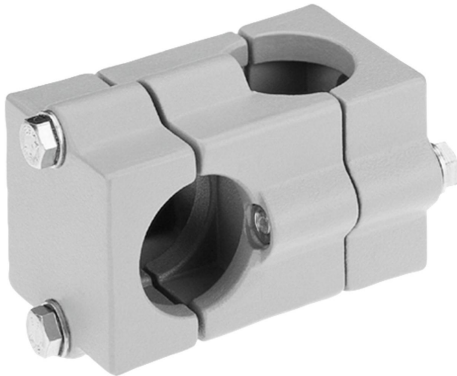


Tube clamps cross aluminium

Item description/product images



Description

Material:

Cast aluminium.
Screws and nuts steel.

Version:

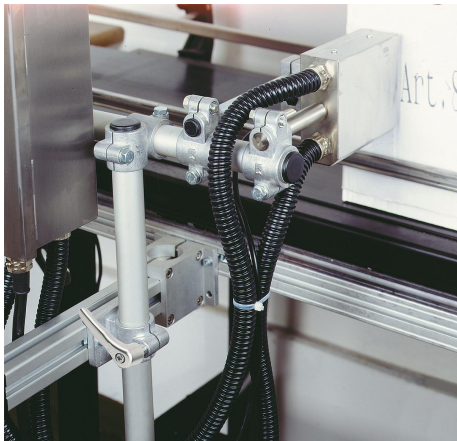
Vibratory ground.
Screws and nuts electro zinc-plated.

On request:

Clamping levers for tightening and other diameters.

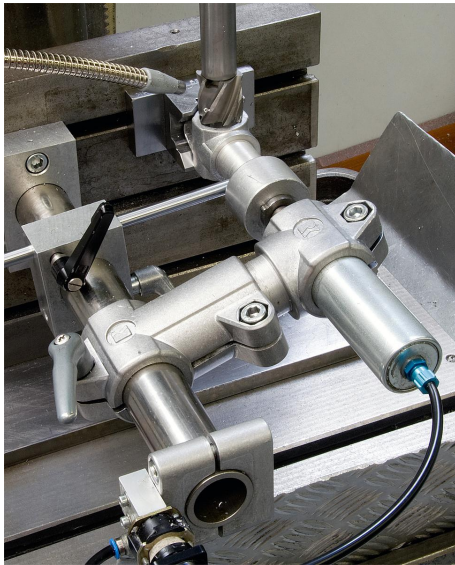
Accessory:

- Round and square tubes K0493

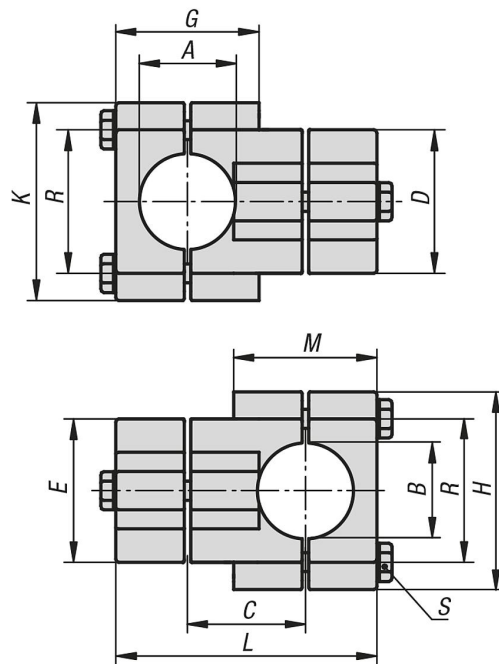


Tube clamps cross aluminium

Item description/product images



Drawings



Overview of items

Tube clamps cross, aluminium

Order No.	A	B	C	D	E	G	H	K	L	M	R	S
K0472.523030	30,2	30,2	38	45	45	44	64	64	83	44	46	M8x45
K0472.524040	40,2	40,2	50	60	60	61	75	75	111	61	57	M8x60

