

## Tubular handles, aluminium with plastic grip legs

### Item description/product images



### Description

#### Material:

Grip aluminium EN AW-6060.  
Legs glass-bead reinforced polyamide.

#### Version:

Grip natural colour anodised or with black serrated plastic cover.

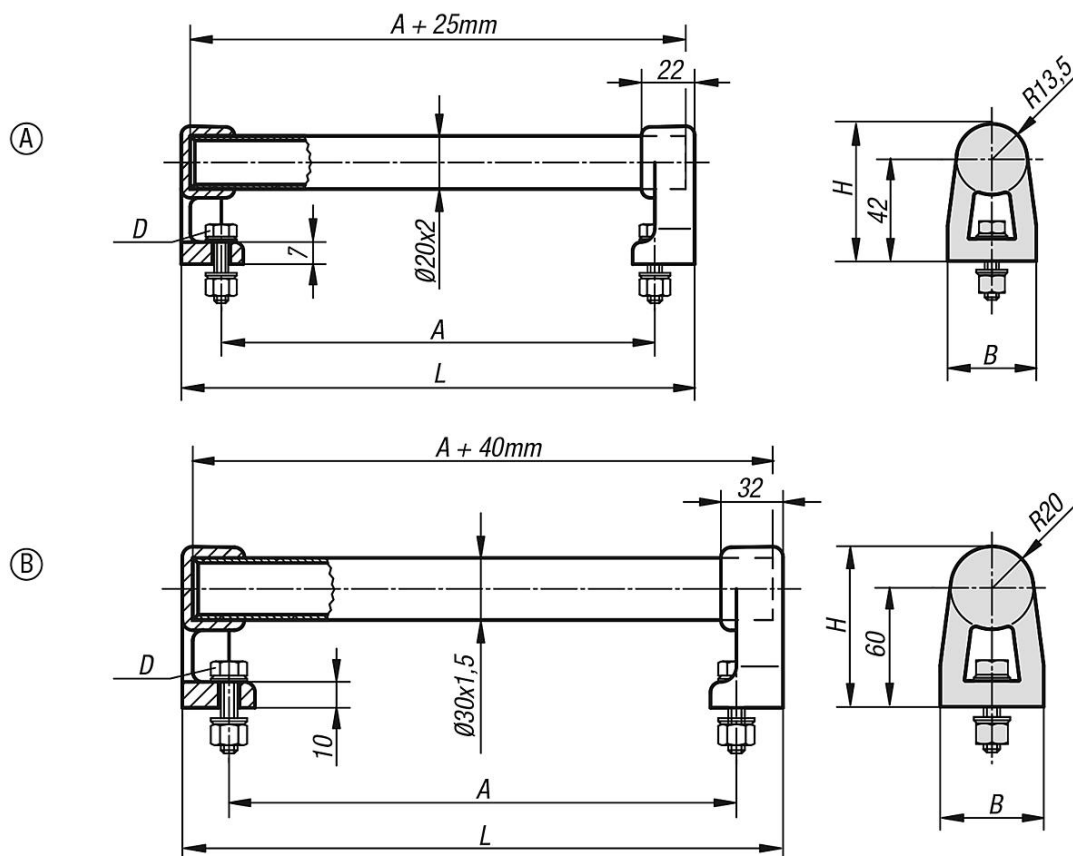
#### Note:

The legs have 2 or 4 PVC profile pins in the hole for the grip tube. When pushing the tube in these are trimmed off and produce a precise seating.  
Black electro zinc-plated fastening screws, suitable washers and nuts are supplied.

#### Assembly:

From the front.

### Drawings



### Overview of items

#### Tubular handles

Order No.	Main colour	Form	A	B	D	H	L	Load capacity N
K0223.150203	natural	A	150	32	M5x20	55,5	184	1000

## Tubular handles, aluminium with plastic grip legs

### Overview of items

Order No.	Main colour	Form	A	B	D	H	L	Load capacity N
K0223.200203	natural	A	200	32	M5x20	55,5	234	1000
K0223.300203	natural	A	300	32	M5x20	55,5	334	1000
K0223.400203	natural	A	400	32	M5x20	55,5	434	1000
K0223.500203	natural	A	500	32	M5x20	55,5	534	1000
K0223.150202	black	A	150	32	M5x20	55,5	184	1000
K0223.200202	black	A	200	32	M5x20	55,5	234	1000
K0223.300202	black	A	300	32	M5x20	55,5	334	1000
K0223.400202	black	A	400	32	M5x20	55,5	434	1000
K0223.500202	black	A	500	32	M5x20	55,5	534	1000
K0223.150303	natural	B	150	48	M8x25	80	200	1000
K0223.200303	natural	B	200	48	M8x25	80	250	1000
K0223.300303	natural	B	300	48	M8x25	80	350	1000
K0223.400303	natural	B	400	48	M8x25	80	450	1000
K0223.500303	natural	B	500	48	M8x25	80	550	1000
K0223.150302	black	B	150	48	M8x25	80	200	1000
K0223.200302	black	B	200	48	M8x25	80	250	1000
K0223.300302	black	B	300	48	M8x25	80	350	1000
K0223.400302	black	B	400	48	M8x25	80	450	1000
K0223.500302	black	B	500	48	M8x25	80	550	1000